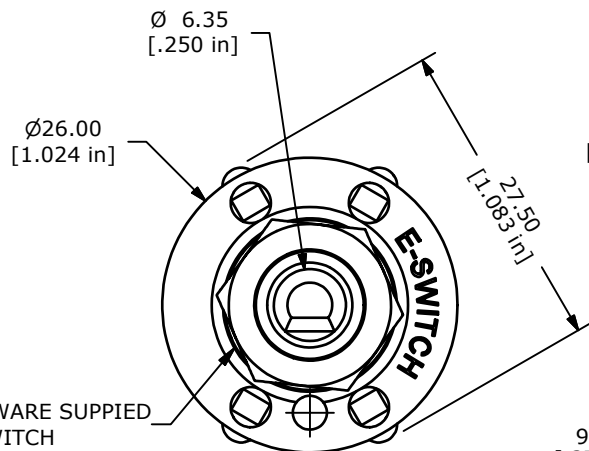
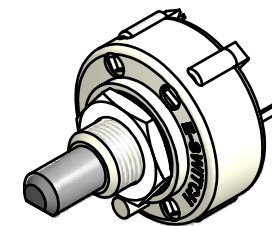
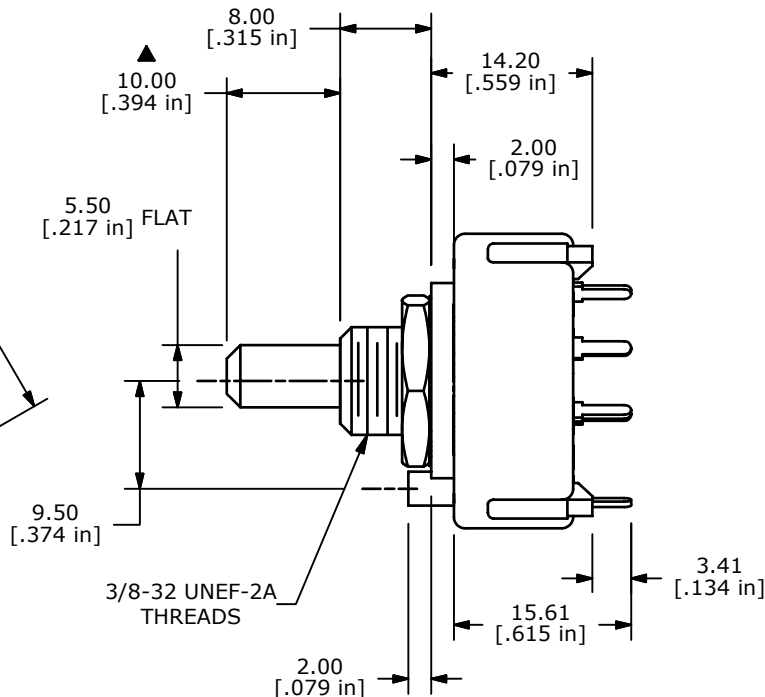


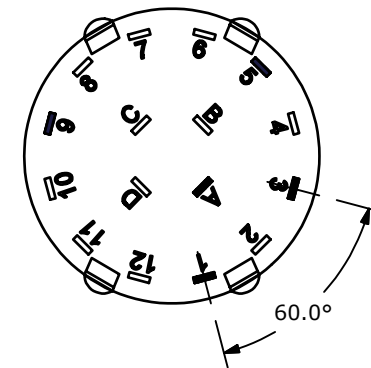
CONTACT CONFIGURATION  
TIMING (BBM) NON-SHORTING



▲  
HARDWARE SUPPLIED  
ON SWITCH

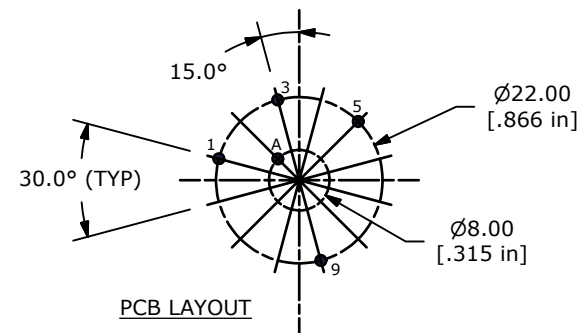
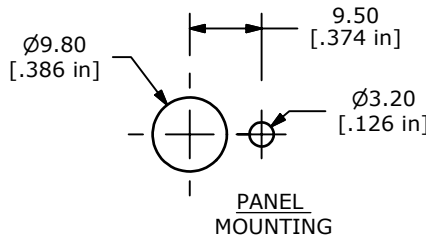


ISOMETRIC



NOTE:

1. ALL DIMENSIONS IN MM[INCH].
2. GENERAL TOLERANCE: X.X±0.4  
X.XX±0.25
3. TERM. NOS. FOR REFERENCE ONLY.
- ▲ 4. CONTACT MATERIAL: SILVER
5. CONTACT RATING: 0.3A @ 125 VAC
6. CONTACT RESISTANCE: 50 Milli Ohms MAX.
7. OPERATING TORQUE: 0.8 ± 0.3 Kg/cm
8. OPERATING TEMP: -30°C TO 85°C
- ▲ 9. CIRCUIT SP: 3 POSITION 60° INDEX.
10. DETENT POSITIONS @ 60°
11. DIELECTRIC STRENGTH: 500 VAC FOR 1 MINUTE
12. INSULATION RESISTANCE: 100 Mega Ohms @ 500 VDC
- ▲ 13. HARDWARE SUPPLIED ON SWITCH:  
(1) LOCKWASHER AND (1) HEXNUT
14. ▲ DENOTES CRITICAL PARAMETER.



A	18046	RELEASED FOR PRODUCTION	4/3/08	BLR
REV	PCR NO	DESCRIPTION	DATE	BY

TITLE KC55A10.001NPS				
SCALE	DATE	DR	DWG	REV
1.5:1	4/3/2008	BLR	G510792	A

THE INFORMATION CONTAINED IN THIS DOCUMENT IS PROPRIETARY TO E-SWITCH AND IS NOT TO BE COPIED OR TRANSFERRED